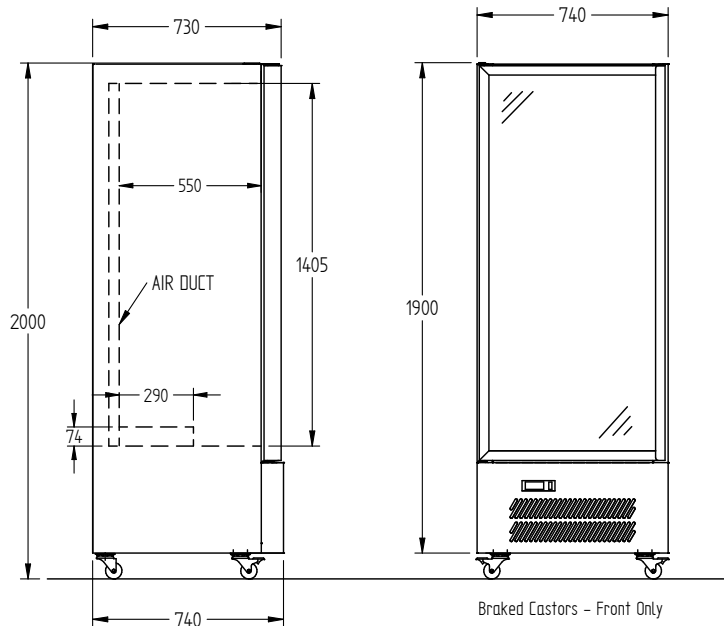
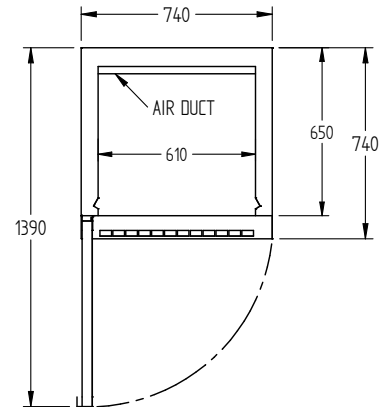


# HQS1GD



CATEGORY	GENERAL UPRIGHTS
RANGE	<b>Quartz Star</b>
UNIT	REFRIGERATOR
TYPE	SELF CONTAINED
DOORS	1



## SPECIFICATIONS

CAPACITY LITRES	500
TEMPERATURE	1°C / 4°C
DIMENSIONS - W X D X H (ON CASTORS) MM	740 W x 740 D x 2000 H
WEIGHT UNPACKED (KG)	160

## STANDARD INCLUSIONS \*\*\*

DOOR TYPE	<b>GD</b> (Glass Door)
FINISH (INTERIOR AND EXTERIOR, EXCLUDES REAR AND UNDER, STAINLESS STEEL INTERNAL FLOOR)	<b>CB</b> (White), <b>CBB</b> (Black), <b>SS</b> (Stainless Steel)
SHELVES/DOOR	4

## ELECTRICAL

POWER SUPPLY	10 amp
FRIDGE MODELS - GLASS DOORS	RUNNING AMPS
	3.6

## GAS TYPE

REFRIGERANT	FRIDGE MODELS	R134a
-------------	---------------	-------

## REFRIGERATION WATTAGES FOR OPTIONAL REMOTE UNITS

FRIDGE MODELS - GLASS DOORS	620 @ -5°C SST
-----------------------------	----------------

\*\*\* For **OPTIONS** refer to the current Williams Price Guide